

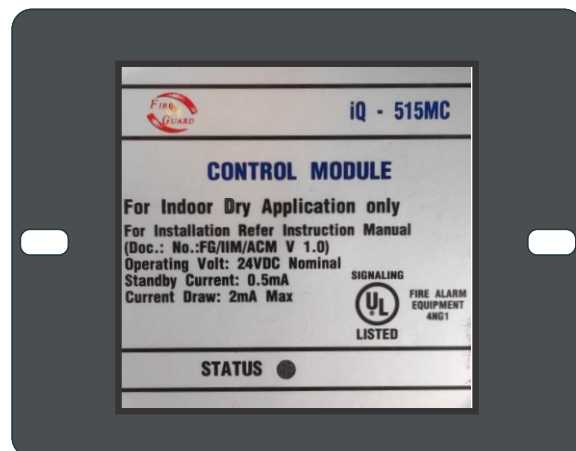
IQ 515MC

Analogue Addressable Control Module



Product Overview:

IQ-515MC Control Module is the remote switching device to control 24V operating devices like Bells, Sounders, Strobes, etc. The required supply is drawn from a 24V power supply unit. The RED blinking LED indicates normal operating conditions and the steady state LED for activated conditions. DIP switches are provided for addressing of the module. The output circuit is supervised for faulty condition.



Special Features:

- ✍ UL-Listed (9th Edition).
- ✍ Modular Construction.

Features:

- ✍ Supervised a Class 'B' Style 'Y' output circuit.
- ✍ Module Status by RED LED.
- ✍ Analogue Communication with the panel.
- ✍ Module Addressing by 8 way DIP switches.
- ✍ Low Standby Current.
- ✍ Available with suitable back boxes.

Electrical Specification:

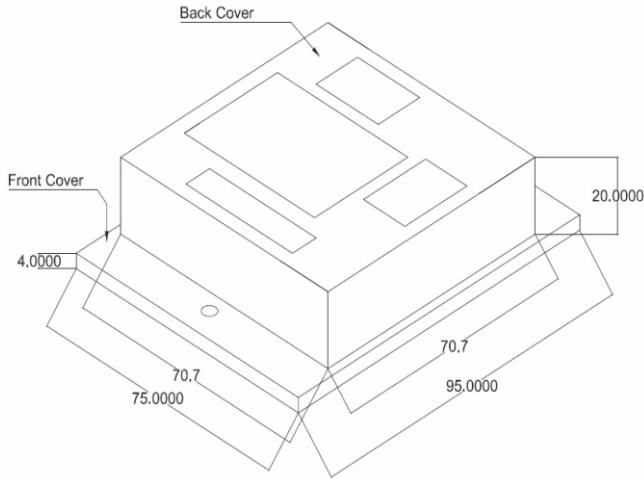
Operating Voltage	:	24 VDC Nominal.
Current Draw	:	2 mA Max.(Latched)
Standby Current	:	0.5 mA
End of Line Resistor	:	47K Ohms
Communication Line	:	
Loop Impedance	:	40 Ohms
Line Loss	:	4 VDC Max.
External Supply Voltage	:	Regulated 24V.
Max. Output Current Drive	:	1 Amps.(Supervised)
Operating Temperature	:	0°C to 49°C / 32° 120°F
Storage Temperature	:	0°C to 60°C.
Relative Humidity	:	93 ± 2% RH (non-condensing) at 32 ±2° C / 90 ±3° F.



Mechanical Specification:

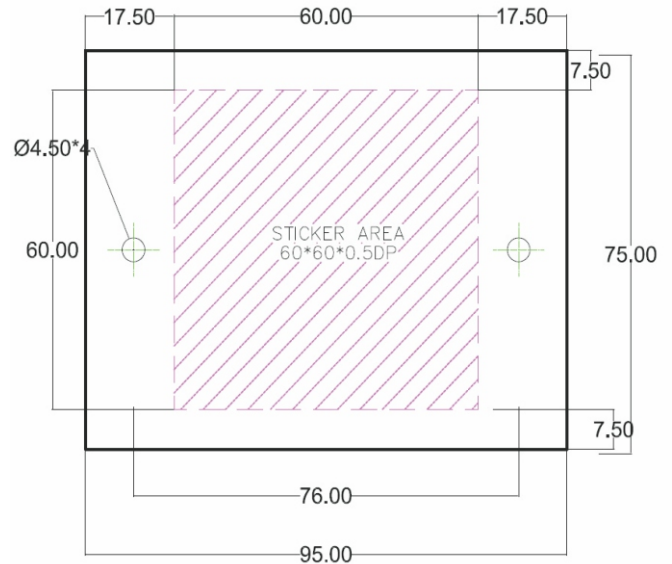
Dimensions : (95 W X 75 H X 24D) mm
 Color : Black
 Weight : 0.35 Kg

G.A.Diagram:

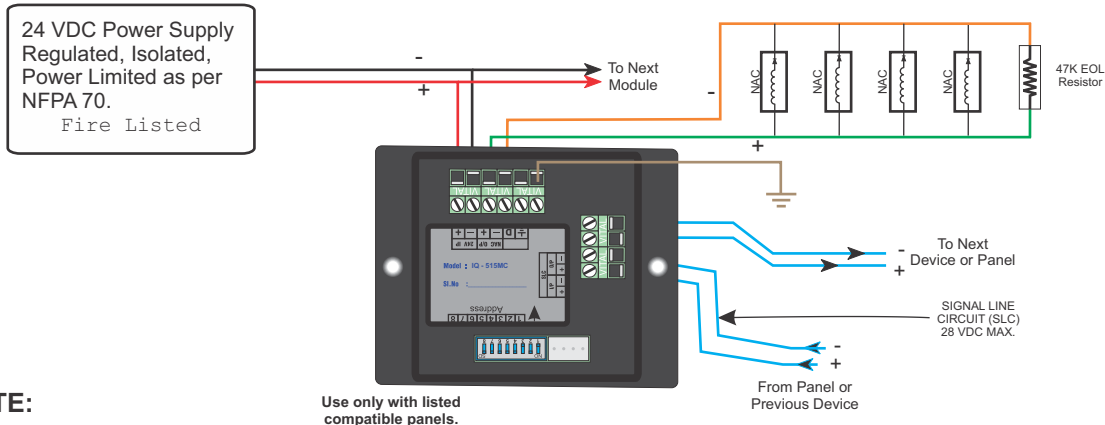


ALL DIMENSIONS ARE IN MM

Mounting Detail:



Wiring Configuration



NOTE:

- * D = NO CONNECTION
- * ALL WIRING SHOWN IS SUPERVISED AND POWER LIMITED

Compatible Devices:

MODELS	DESCRIPTION
IQ500	Analogue Addressable Fire Alarm Control Panel
FG-03127S	Conventional Fire Alarm Sounder
FG-03127BS	Conventional Fire Alarm Sounder & Beacon

Ordering Information:

MODEL	DESCRIPTION
IQ 515MC	Analogue Addressable Control Module

Fireguard Global Ltd.,
 Unit 11 Chancel ind estate, Newhall street
 Willenhall WV13 1NX, United Kingdom.
 Web: www.fireguard-uk.com
 Email: info@fireguard-uk.com