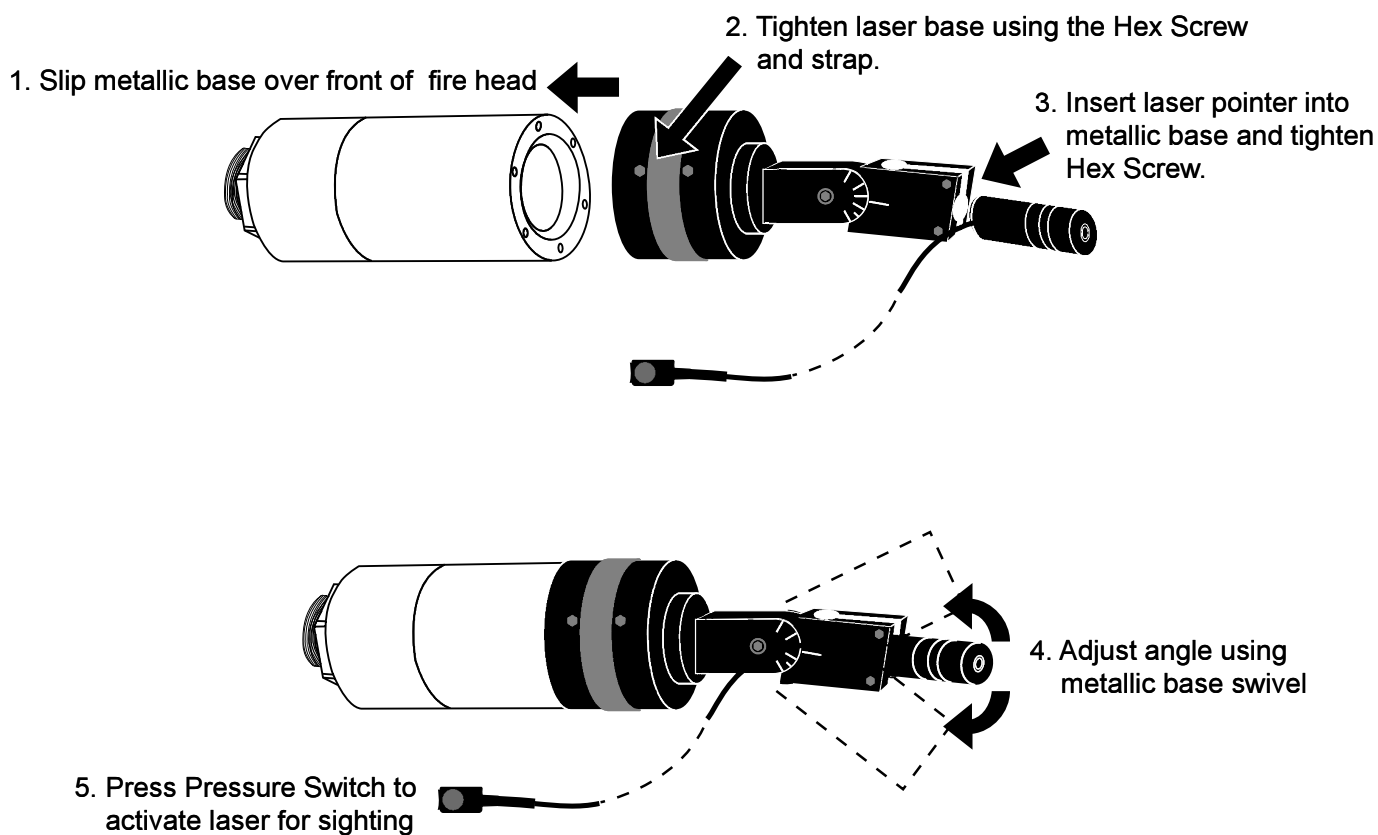




Using Laser Alignment Tool

For use with FIREGUARD Flame Detectors

Once attached to the front of the fire detector, the angle of the metallic base and laser pointer can be adjusted and used to help delineate the area which the flame detector will cover.



WARNING: Use with care. Do not point at others.