

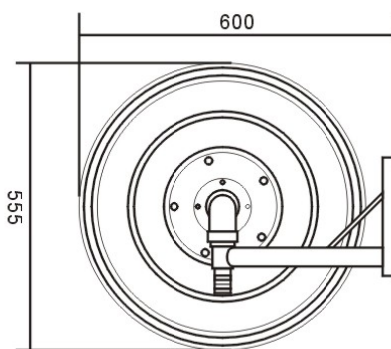
ISO 9001 Certified



Fireguard Hose Reel

BS EN 671 Approved by LPCB





Fireguard provide a wide choice of fire hose reels designed to provide a fast, efficient and steady flow of water to deal with a fire. Fire hose reel has been a mainstay of fire fighting for decades. The hose reels are supplied with either a manual or an automatic valve depending on the type of environment it is located.

Manually operated fire hose is recommended for exposed or exterior areas that are subject to frost or freezing conditions that could cause potential damage to the hose pipe. Water is not present within the hose until a manual gate valve is first opened before running out the hose.

By contrast, an automatic fire hose reel is permanently charged with water so that when the reel is “run out” the automatic valve will open and a quick twist of the hose reel nozzle will discharge water on to the seat of a fire. This process saves valuable time and has the potential to stop a small fire becoming a major fire. Hose Reels are available in fixed, swinging, recessed and concealed versions with automatic or manual valves. Annual servicing ensures hose reel work first time, every time and prevents potentially damaging leaks

Control Setting	Nozzle Dia	Min Flow rate at 6 Bar (L/Min)	Throw range at 2 bar (Mtr)
Jet (Hose 19/25mm)	6 mm	48/55	>10 / >12
Spray (Hose 19/25mm)	6 mm	52/62	>6

Technical Specification:

Automatic or Manual

- Hose Reel Designed to BS EN 671-part 1-2001
- Discs are 1.2mm Pre treated Electro Galvanized steel sheet with Electrostatic powder coating.
- Maximum Swinging angle wall mounted is 180°
- Hose designed to BS EN 694 non kinking reinforced rubber.
- Hose Working Pressure 12 & 20 Bar
- Hose Burst Pressure 42 & 60 Bar
- Jet spray nozzle of rigid plastic with more than 45° spray angle – Shut- Spray- Jet pattern N-04.
- 1” Gate valve-B or Ball valve-C made of brass. Lock Shield valve is optional
- Can take 20/25/30m of 19mm or 25mm hose
- Easy to install, operate and service

Model FGHR 1930M
Manual swinging type ¾”x30m

Model FGHR 1930A
Auto swinging type ¾”x30m

Model FGHR 2530M
Manual swinging type 1”x 30m

Model FGHR 2530A
Auto swinging type 1”x30m



Application: Ideal for large high risk environments such as

- Schools
- Hotels
- Car parks
- Warehouses & Workshops
- Factories
- Theatres and Concert Halls
- Large petrochemical areas (using foam attachment)#



FIRE HOSE EN694



Outer layer is coated by UV inhibitor, colorfast

3/4" × 1W	WP. 12Bar	BP. 42Bar
3/4" × 2W	WP. 20Bar	BP. 60Bar
1" × 1W	WP. 12Bar	BP. 42Bar
1" × 2W	WP. 20Bar	BP. 60Bar
1 1/4"	WP. 12Bar	BP. 36Bar
1 1/2"	WP. 12Bar	BP. 36Bar

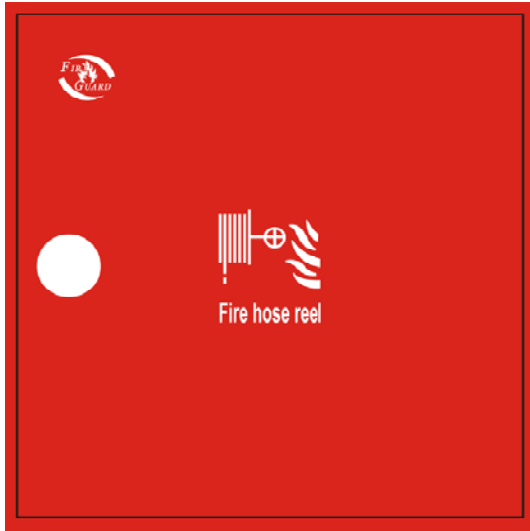
VALVE



Lock shield Valve

NORMAL NOZZLE





Fireguard has wide range of cabinets manufactured with 1.2mm thickness steel Powder coated RAL 3001Red.Can be customized according to the architectural requirements.

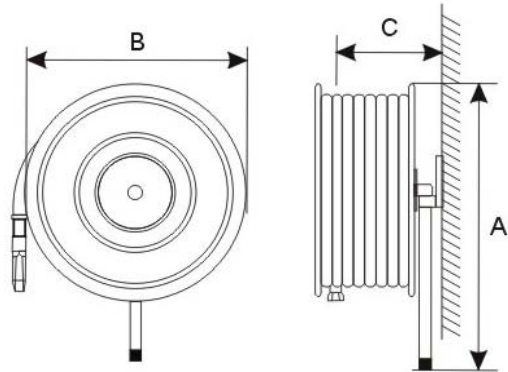
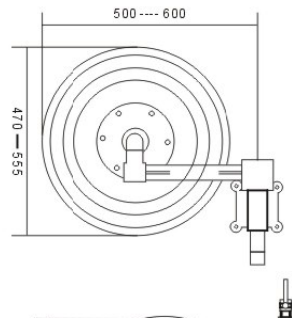
Door sign according to 92/58/EEC
35mm Ø Knockouts for inlet pipework both sides.

Finish: Red powder coated,Stainless steel-Brush/Mirror/Satin finish any other upon request.

Standard Size :Single cabinet- 760x760x280 mm Double Cabinet: 1400x760x250 mm



Optional Models with different brackets Available





**Certificate of Registration**
QUALITY MANAGEMENT SYSTEM

Fireguard Safety Equipment Co Ltd
2 The Dingle
Finchfield
Wolverhampton
WV3 9ET
United Kingdom

Operates a Quality Management System
which complies with the requirements of
ISO 9001:2008
for the activities detailed in the scope of registration.

Certificate No: **FS 5486607**

For and on behalf of BSI:

Managing Director, BSI EMEA
Originally registered: **15/02/2010**

This certificate is not the legal certificate and is for presentation purposes only. Refer to the legal certificate for full details of schemes and scopes. This certificate remains the property of BSI and is bound by the conditions of contract. The British Standards Institution is incorporated by Royal Charter. BSI (UK) Headquarters: P.O. Box 9000, Milton Keynes MK14 6WT. Tel: 0845 086

Loss Prevention Certification Board


This is to certify

Fireguard Safety Equipment Co Ltd
2nd Floor, 145-157 St John Street, London, EC1V 4PY, United Kingdom

is authorised to use the LPCB mark in association with the product(s) listed in this certificate and appendix.

Fire Hose Reels
(refer to attached appendix for details)

which have complied with the requirements of the following:

BS EN 671-1:2001 – Fixed firefighting systems – Hose systems – Part 1: Hose reels with semi-rigid hose

Certificate No. **1038Ba** Issue No. **01**

Date of Issue **15 September 2011**

This certificate is valid until withdrawn by LPCB. To check the validity and the authenticity of this certificate please visit our website www.RedBookLive.com or contact us.

Signed on behalf of LPCB

B W Lywood

LPCB is part of BRE Global Ltd., Garston, Watford WD25 9DX. Tel +44 (0)1923 664100 Fax +44 (0)1923 664003 www.RedBookLive.com
This certificate remains the property of BRE Global Ltd and is issued subject to terms and conditions and is maintained and held in force through regular surveillance activities.

BSI 667 Revision 1, 14 August 2009 Page 1 of 2 ©BRE Global Ltd, 2011

Fireguard Safety Equipment Co Ltd.
Unit 11 Chancel Industrial Park New Hall Street,
Willenhall WV13 1NX, United Kingdom
Tel: +44 (0) 845 075 1042 Fax: +44 (0) 845 075 1043
info@fireguard-uk.com www.fireguard-uk.com