



MONITOR - MG 412

Carbon Steel, Size - 100mm (4")

TECHNICAL DATA :

Model	MG 412
Nominal Size	4 Inch (100 MM)
Max. Service Pressure	175 PSI (12 Bar)
Maximum Flow	1250 GPM (4730 LPM)
Factory Hydrostatic Test Pressure	500 PSI (34.3 Bar)
Swivel Joint	Bronze to IS 318 / ASTM B62 with double row of Stainless Steel Ball Bearing and Grease Fittings.
Nozzle Thrust Reaction in Kg.	Flow in LPM X $\sqrt{\text{Pressure in Kg./sq.cm.}}$ X 0.0228
Inlet Connection	4" OR 6" (100 OR 150 MM) Flange to ANSI B16.5 #150, R.F.
Outlet Connection	4" BSP (m)
Monitor Elevation	90 Deg. above horizontal & 45 Deg. below horizontal
Monitor Rotation	360 Deg. continuous
Monitor Movement	Single hand wheel driven enclosed worm gear for vertical movement, handle and twist lock for horizontal movement
Finish	Red Polyurethane
Weight	69 Kg.
Ordering Information	Specify Monitor Model and Inlet Flange Size.



resistant swiveling joint with double row of stainless steel ball bearing. Vertical movement is controlled with handwheel driven enclosed worm gear and twist lock for horizontal movement.

The monitor has large flow capability and can be manually operated by a single fire fighter. The design ensures to prevent jet reaction forces from effecting the horizontal and the vertical position of the monitor. The counter balance is not required to offset the weight of the nozzle. The monitor has the ability for 360 deg. continuous horizontal rotation and angle of elevation is adjustable with fix stop from 90 deg. above horizontal to 45 Deg. below horizontal.

The water vanes in discharge tube reduces the turbulence and friction loss, thus increasing the nozzle performance to achieve greater range. To ensure desired performance, the friction loss through monitor must be considered while selecting the nozzle and the flow through the monitor with reference to available base pressure at inlet of the monitor. For flow and jet reach data refer monitor nozzle data sheet.

DESCRIPTION :

The monitor Model- MG 412 is durable manual controlled monitor for fixed installation as well as trailer mounted unit. The monitor is generally used for protection of flammable liquid storage tanks, loading racks, dykes marine and many other Industrial application.

The Monitor possess several design features that provides ease of operation, minimum maintenance and resistance to normally destrautive environments. The monitor is used with aspirating, non-aspirating and water nozzles with flow range upto 1250 GPM (4730 LPM).

The monitor has welded carbon steel 4 inch (100 MM) water way. All steel parts are hot dip galvanized and epoxy painted for excellent corrosion resistance. The vertical and horizontal rotation is through corrosion

MONITOR - MG 412

INSTALLATION, TESTING AND MAINTENANCE

The monitor must be installed and operated carefully by a trained person, having good knowledge of equipment. Before assembly of the monitor to the supply piping, thoroughly flush the piping with water to avoid sand, residue, welding slag or other debris hindering the proper functioning of the monitor.

After few initial successful tests, an authorized person must be trained to perform the inspection and testing of the monitor.

The monitor should be ready for use. To achieve this condition, scheduled inspection and maintenance operation should be performed and it must be recorded in the maintenance register book indicating the requirement or recommendation. The recommended maintenance, procedure must be followed as given in the manual and also as per the local authority having jurisdiction.

It is recommended to carry out weekly physical inspection of the monitor. The inspection should verify that no damage has taken place to any component and the monitor is ready for use.

Carry out functional test every month for the flow, regular rotation in horizontal and vertical plane for the entire operating range to observe any leakage.

Periodic proper greasing through grease nipple provided on bearing, worm wheel and worm shaft must be ensured. Use water resistant low friction synthetic grease. Lubrication is required for smooth operation.

Each monitor must be operated with the full flow in accordance to the guidelines of the organisation having local jurisdiction.

The owner is responsible for maintaining the equipment in proper operating condition.

CAUTION

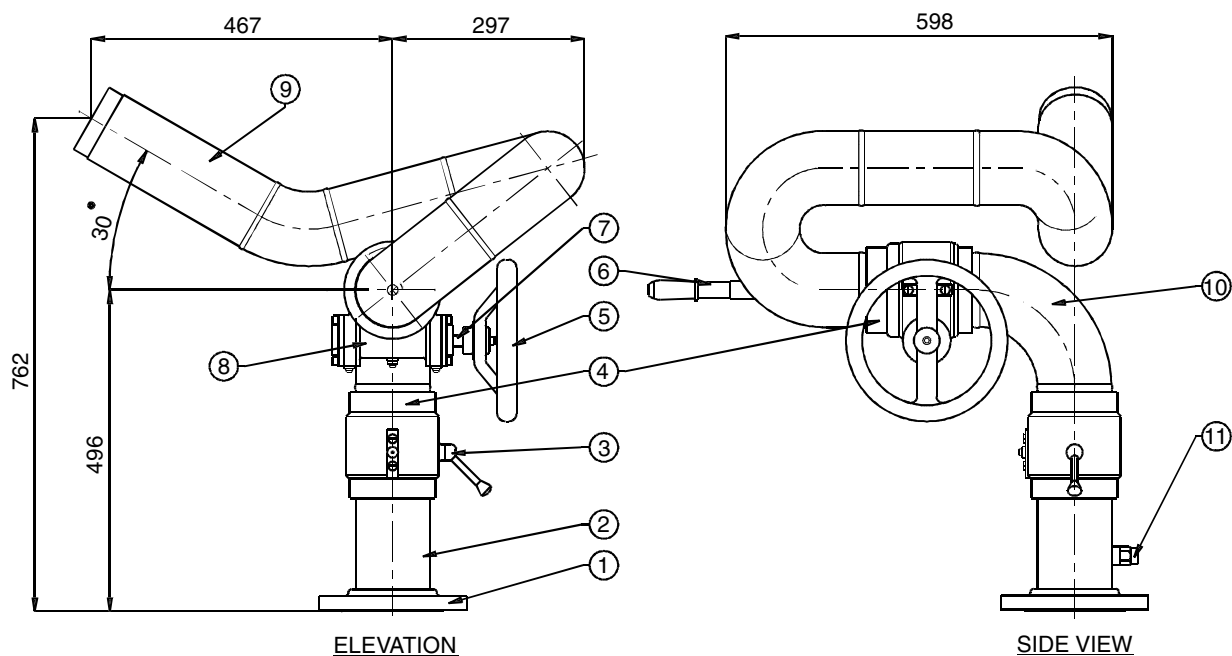
- A trained personnel for fire fighting must use the monitor. Appropriate guidance & training must be given to reduce the risk or injury.
- The nozzle must be fixed to the monitor carefully, The flange bolts must be tightened uniformly.
- The piping must be able to withstand the horizontal reaction force. Serious injury to personnel and equipment can result from improper installation.
- When installing monitor it is critical that flange bolts be tightened uniformly to prevent cocking of the monitor relative to the flange or valve.
- Before flowing water from monitor, check that all personnel are out of stream path and stream direction will not cause avoidable property damage.
- Application of water or foam on an electric appliance

can cause serious injury.

- The water supply to monitor must be increased/ decreased gradually to prevent possible waterhammer occurrence.



MONITOR - MG 412



PART LIST

SR.NO.	DESCRIPTION	MATERIAL SPECIFICATION.
1	BASE FLANGE	ASTM A105
2	INLET PIPE	ASTM A106 SCH 40
3	LOCK	BRASS
4	SWIVEL JOINT	BRONZE IS:318/ ASTM B62
5	HAND WHEEL	CAST IRON
6	HANDLE	STEEL
7	WORM SHAFT	STAINLESS STEEL
8	WORM WHEEL	BRONZE IS:318/ ASTM B62
9	BARREL PIPE	ASTM A106 SCH 40
10	ELBOW	ASTM A234 WPB SCH 40
11	DRAIN VALVE	BRASS

NOTE:

- Monitor inlet flange standard size is 100 NB (4") to ANSI B16.5, 150#, other size 150NB (6") optional.
- All dimension in millimeters and are approximate.