



# LANDING VALVES

## ACCORDING TO BS 5041 PART 1 AND PART 2



### GENERAL DESCRIPTION:

Fireguard produces various types of landing valves such as oblique landing valve, right angle landing valve, flanged right angle landing valve, Bib nose type, Horizontal type and flanged straight through landing valve. All landing valve are manufacture to BS 5041 Part 1 & Part 2.

These valves are supplied with a 2½" Instantaneous female outlet but are available with most other international adaptors as well with either flanged or threaded inlets



### SPECIFICATIONS:

Body: Bronze LG2  
Handwheel: Grey Cast Iron to BS 1452  
Inlet : Flanged or BSP screw thread  
Outlet: Female instantaneous to BS 336  
Test pressure: 22.5 bar  
Flow rate 8.5 l/sec  
Nominal Size 2 ½"

### MODELS:

FG06-198A-00	DN50 low pressure oblique pattern globe type landing valve with a flanged inlet.
FG06-198A1-00	DN65 low pressure oblique pattern globe type landing valve with a flanged inlet.
FG06-198B-00	2½" low pressure oblique pattern globe type landing valve with a female screwed inlet.
FG06-198B1-00	2½" low pressure oblique pattern globe type landing valve with a male screwed inlet.
FG06-198B2-00	2½" low pressure oblique pattern globe type landing valve with a male screwed inlet.
FG06-198C-00	DN50 low pressure right-angle pattern globe type landing valve with a flanged inlet.
FG06-198C1-00	DN65 low pressure right-angle pattern globe type landing valve with a flanged inlet.
FG06-198D-00	2½" low pressure right-angle pattern globe type landing valve with a male screwed inlet.
FG06-198D1-00	2½" low pressure right-angle pattern globe type landing valve with a male screwed inlet.
FG06-200A-00	2½" low pressure horizontal pattern globe type landing valve with a male screwed inlet.
FG06-200A1-00	2½" low pressure horizontal pattern globe type landing valve with a male screwed inlet.
FG06-200B-00	DN50 low pressure horizontal pattern globe type landing valve with a flanged inlet.
FG06-200B1-00	DN65 low pressure horizontal pattern globe type landing valve with a flanged inlet.
FG06-200C-00	2½" low pressure bib-nose pattern globe type landing valve with a male screwed inlet.
FG06-200C1-00	2½" low pressure bib-nose pattern globe type landing valve with a male screwed inlet.
FG06-200D-00	DN50 low pressure bib-nose pattern globe type landing valve with a flanged inlet.
FG06-200D1-00	DN65 low pressure bib-nose pattern globe type landing valve with a flanged inlet.



# LANDING VALVES

## ACCORDING TO BS 5041 PART 1 AND PART 2

### Landing Valve Oblique Type



FG06-198A-00

FG06-198A1-00

Size	H(mm)	W(mm)	Inlet	Outlet
DN50	198	225	165	BS336
DN65	198	235	185	BS336

### Landing Valve Oblique Type

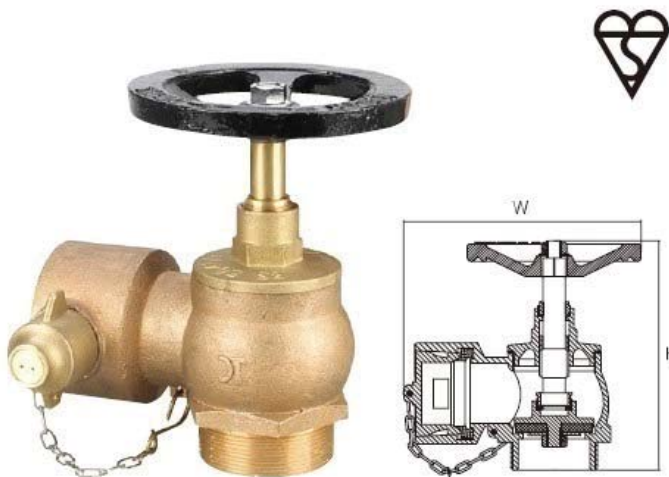


SP

FG06-198B-00 FG06-198B1-00 FG06-198B2-00

Size	H(mm)	W(mm)	Inlet	Outlet
DN65	205	218	2.5"BSPT	BS336
DN65	200	218	2.5"BSP	BS336
DN65	200	218	2.5"BSP(F)	BS336

### Landing Valve Right-Angle Type

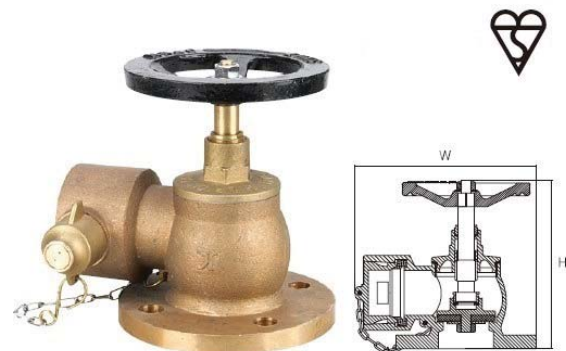


FG06-198D-00

FG06-198D1-00

Size	H(mm)	W(mm)	Inlet	Outlet
DN65	205	205	2.5"BSPT	BS336
DN65	200	205	2.5"BSP	BS336

### Landing Valve Right-Angle Type



FG06-198C-00

FG06-198C1-00

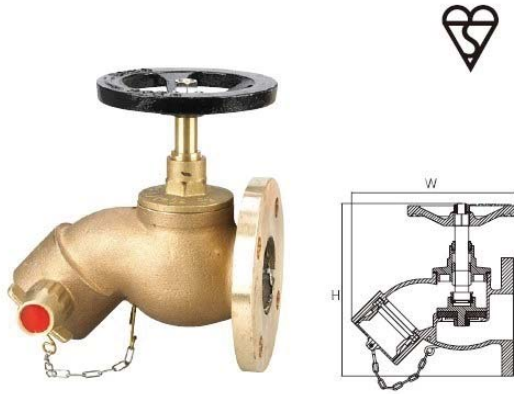
Size	H(mm)	W(mm)	Inlet	Outlet
DN50	198	213	165	BS336
DN65	198	223	185	BS336



# LANDING VALVES

## ACCORDING TO BS 5041 PART 1 AND PART 2

### Landing Valve Bib-nosed Type



FG06-200D-00

FG06-200D1-00

Size	H(mm)	W(mm)	Inlet	Outlet
DN50	240	225	165	BS336
DN65	250	225	185	BS336

### Landing Valve Bib-nosed Type



FG06-200C-00

FG06-200C1-00

Size	H(mm)	W(mm)	Inlet	Outlet
DN65	225	263	2.5"BSPT	BS336
DN65	225	263	2.5" BSP	BS336



### Landing Valve Horizontal Type



FG06-200B-00

FG06-200B1-00

Size	H(mm)	W(mm)	Inlet	Outlet
DN50	270	180	165	BS336
DN65	280	180	185	BS336

### Landing Valve Horizontal Type



FG06-200A-00

FG06-200A1-00

Size	H(mm)	W(mm)	Inlet	Outlet
DN65	235	213	2.5"BSPT	BS336
DN65	235	213	2.5" BSP	BS336