

Products:

- **Zone Splitters - F G VX-4Z / FGVX-2ZA**

● **Remote Microphone - FGVX-RM • FGVX-SC**

Zone Splitters:

Features:

- 4 Class B Supervised Audio Outputs FGVX-4Z
- 2 Class A Supervised Audio Outputs FGVX-2ZA
- Individual Zone Switches
- All Call Switch
- Automatic General Alarm Zones
 - Selectable when Alarm is Silenced
 - Optional Alarm by Zone
- Individual LEDs indicate Zone Selection.
- Individual LEDs indicate Zone Trouble.
- Up to 8 Zones Mounted in FGVAX 25/50
- Up to 16 Zones Mounted in FGVAX 100/75
- UL Listed.

The FGVX-4Z or FGVX-2ZA Zone Splitters allow the output of any FIREGUARD Systems audio amplifier to supervise and drive multiple zones.

Individual zone select switches are provided which allow the manual selection of any or all voice evacuation zones for emergency paging. Automatic zone selection may be provided by the zone splitters by the connection of normally-open contacts from the Fire Alarm Control Panel (FACP) or other auxiliary control system.

An "ALL-CALL" Switch is provided which will select all voice evacuation zones for emergency paging.

Individual LEDs are provided to annunciate zone status of either "Zone Active" or "Zone Fault".

All EVX-Series Zone Splitters are compatible with 25V and 70V voice evacuation system amplifier outputs.

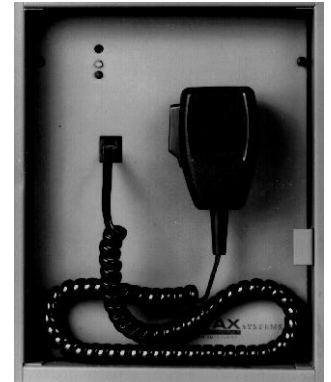


Voice Evacuation

Accessories



FGVX-4Z
Four Zone Splitter



FGVX-RM
Shown with key locked door removed.

Listings:



S5661



6911-1446:100

Ordering Information:

Description	Model Number
Zone Splitter -Four Zone, Class B Operation	FGVX-4Z
Zone Splitter -Two Zone, Class A Operation	FGVX-2ZA
Remote Paging Microphone Panel	FGVX-RM
Remote Paging Microphone Supervisory Card	FGVX-SC



Remote Microphone Panel:

Features:

- All-Call Remote Microphone
- Overrides alarm tone and automatic message
- Any number of remote microphones
- Dead Front Cover Construction.
- Paging Microphone with Press to Talk Button.
- “In-Use” and “Fault” LED’s.
- Supervised Wiring.
- May be located up to 5000 feet away from Voice Evac Panel.

The FGVX-RM is a supervised remote microphone for use with the FGVAX 25(50) voice evacuation system. The microphone provides crystal-clear live voice messages over the system speakers. Ideal for use when the fire alarm panels are in an electrical room, and the annunciator and microphone are in the lobby.

The FGVX-RM is perfectly suited for applications in gymnasiums, nightclubs, auditoriums, churches, and other places of assembly. Locate at control rooms, guard stations, and reception areas.

Up to 5 FGVX-RM Panels may be connected to a single FGVX-SC Supervisory Card. This provides supervision of the wires to the FGVX-RM and they may be located up to 5000 feet away.

Housed in an attractive surface or semi-flush mounted backbox, with a hinged locking door. The FGVX-RM features dead front construction, a microphone with a “Press-to-Talk” button, and discreet LEDs to display “In-Use” and “Fault” status.

Backbox Dim: 8 x 10 x 3" *w·h·d*
 Color: Charcoal Grey·*std* Red·*optional*

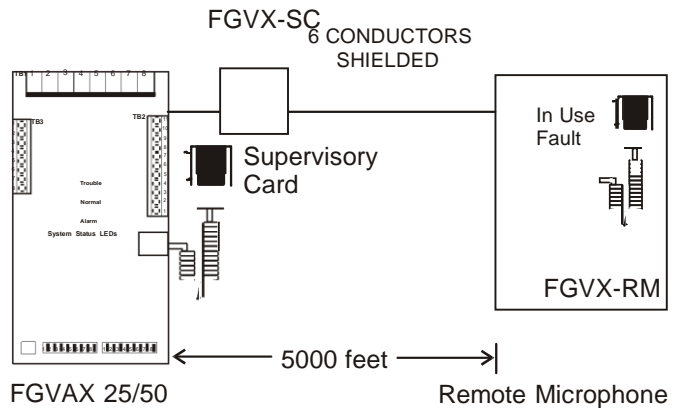
Operation:

In the normal (Standby) mode, announcements can be made from any remote microphone at any time. Simply keying any remote microphone will allow a manual paging message to be broadcast in an “ALL-CALL” mode.

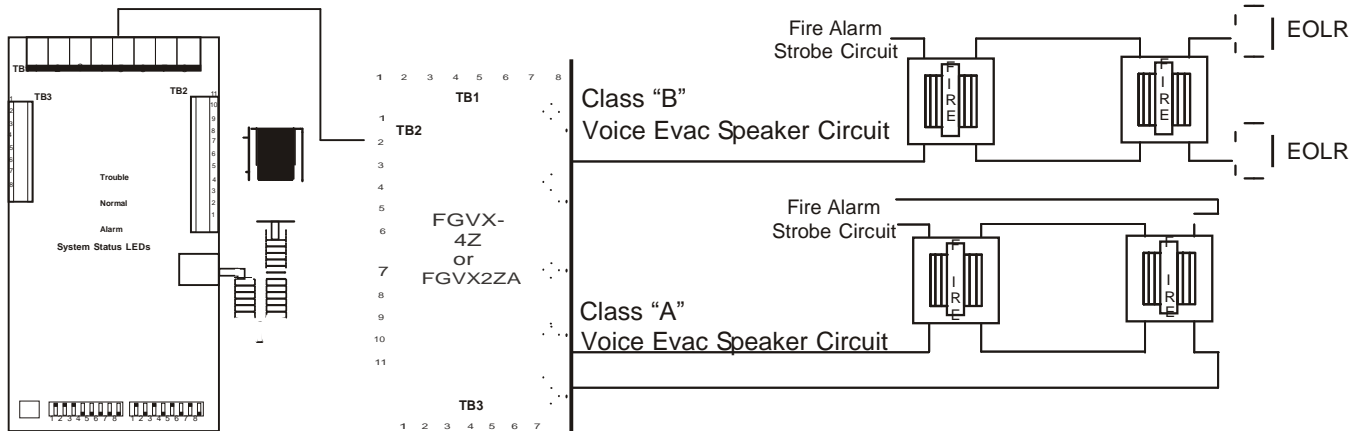
If multiple remote microphones are used, and two or more are simultaneously keyed, then the first microphone keyed will have paging priority. The paging microphone in the master will always have priority over any and all remote microphones. The FGVX-RM can be wired for general public address, and will be automatically disabled on alarm.

In the alarm mode, the keying of any remote microphone will interrupt any pre-recorded tone or message, and will allow manual voice evacuation messages to take priority. When the microphone Press-to-Talk key is released, the automatic pre-recorded voice evacuation message (typically tone and voice) will be replayed from the start.

Typical Application of Remote Microphone



Typical Application of FGVX-4Z Zone Splitter



Simplified Block Diagram

Specifications are subject to change without notice. Specifications are provided for information only and no responsibility is assumed by Fireguard Safety Equipment Co Ltd. For their use.