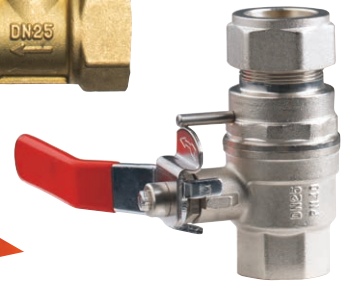




FIRE HOSE REEL



FIREGUARD GLOBAL LTD.

Tel: 00-44-8450751042 • Fax: 00-44-8459751043
Email: Info@Fireguard-Uk.com • www.fireguard-Uk.com

Unit 11 • Chancel Industrial Estate • Newhall Street
Willenhall • WV13 1NX • United Kingdom



FS546607

FIRE HOSE REEL

FIRE HOSE REEL EN671 APPROVED

Fireguard provide a wide choice of fire hose reels designed to provide a fast, efficient and steady flow of water to deal with a fire. Fire hose reel has been a mainstay of fire fighting for decades. The hose reels are supplied with either a manual or an automatic valve depending on the type of environment it is located.

Manually operated fire hose is recommended for exposed or exterior areas that are subject to frost or freezing conditions that could cause potential damage to the hose pipe. Water is not present within the hose until a manual gate valve is first opened before running out the hose.

By contrast, an automatic fire hose reel is permanently charged with water so that when the reel is "run out" the automatic valve will open and a quick twist of the hose reel nozzle will discharge water on to the seat of a fire. This process saves valuable time and has the potential to stop a small fire becoming a major fire. Hose Reels are available in fixed, swinging, recessed and concealed versions with automatic or manual valves. Annual servicing ensures hose reel work first time, every time and prevents potentially damaging leaks

Model FGHR 1930M
Manual swinging type 3/4"x30m

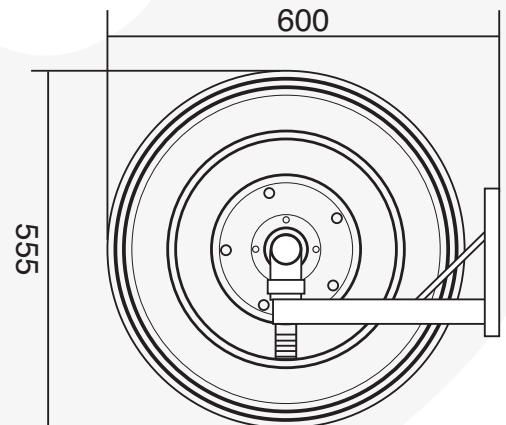
Model FGHR 1930A
Auto swinging type 3/4"x30m

Model FGHR 2530M
Manual swinging type 1"x 30m

Model FGHR 2530A
Auto swinging type 1"x30m

Technical Specification: Automatic or Manual

- Hose Reel Designed to BS EN 671-part 1-2001
- Discs are 1.2mm Pre treated Electro Galvanized steel sheet with Electrostatic powder coating.
- Maximum Swinging angle wall mounted is 180°
- Hose designed to BS EN 694 non kinking reinforced rubber.
- Hose Working Pressure 12 & 20 Bar
- Hose Burst Pressure 42 & 60 Bar
- Hose Test Pressure 18 Bar 48/55 52/62
- Jet spray nozzle of rigid plastic with more than 45° spray angle -Shut-Spray-Jet pattern N-04.
- 1" Gate valve-B or Ball valve-C made of brass. Lock Shield valve is optional
- Can take 20/25/30m of 19mm or 25mm hose
- Easy to install, operate and service



Control Setting	Nozzle Dia	Min Flow rate at 6 Bar (L/Min)	Throw range at 2 Bar (Mtr)
Jet Hose 19/25mm	6mm	48/55	>10 / >12
Spray (Hose 19/25mm)	6mm	52/62	>6

VALVES



A



B



C



D



E



Lock Shield Valve

NORMAL NOZZLE

NOZZLE ORIFICE SIZE: 7MM



www.fireguard-Uk.com



N-01



N-02



N-03



N-04



N-05



N-06



N-07



N-08



N-09



N-10



N-11



N-12



N-13



N-14



N-15

OPTIONAL MODELS WITH DIFFERENT BRACKETS AVAILABLE

Model FGHR 1930MP

3/4" x30m Manual swinging pipe Hose reel

Model FGHR 2530MP

1" x30m Manual swinging pipe Hose reel

Model FGHR 2530AP

1" x30m Automatic swinging pipe Hose reel

Model FGHR 1930MS

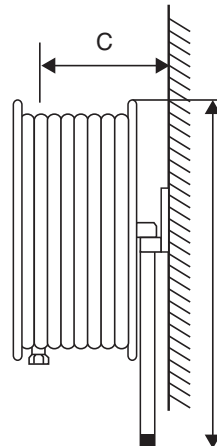
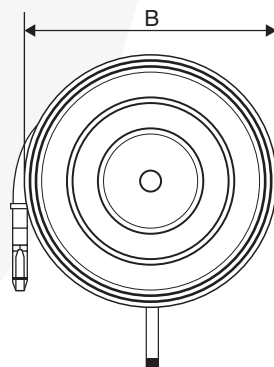
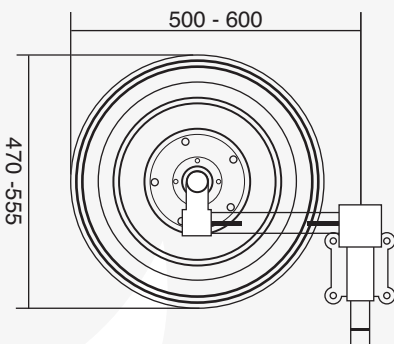
3/4" x30m Manual Fixed pipe Hose reel

Model FGHR 2530MS

1" x30m Manual Fixed pipe Hose reel

Optional:

Stainless steel drum



KM 705505

FIRE HOSE CABINETS

Fireguard has wide range of cabinets manufactured with 1.2mm thickness Steel Powder Coated RAL 3001 Red. Can be customized according to the architectural requirements.

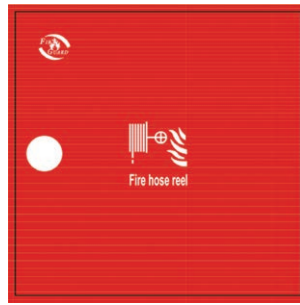
Door sign according to 92/58/EEC 35mm Ø Knockouts for inlet pipework both sides.

Finish: Red powder coated, Stainless Steel/Brush/Mirror/Satin finish upon request.

Standard Size:

Single Cabinet - 760x760x280mm

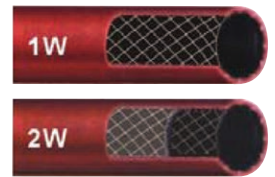
Double Cabinet - 1400x760x250mm



FIRE HOSE EN694

Application: Ideal for large high risk environments such as

- Schools
- Hotels
- Car Parks
- Factories
- Warehouse & Workshops
- Theatres and Concert Halls
- Large petrochemical areas (#using foam attachment)



Outer layer is coated by UV inhibitor, colorfast

Size	WP	BP
3/4" x 1W	12 Bar	42 Bar
3/4" x 2W	20 Bar	60 Bar
1" x 1W	12 Bar	42 Bar
1" x 2W	20 Bar	60 Bar
1 1/4"	12 Bar	36 Bar
1 1/2"	12 Bar	36 Bar



It's used to install the hose reel on the wall. When the hose reel installed in the cabinet, you don't this U bracket, as there is 2 supporters welded in cabinets normally.



FIREGUARD GLOBAL LTD.

Tel: 00-44-8450751042

Fax: 00-44-8459751043

Email: Info@Fireguard-Uk.com

www.fireguard-Uk.com



Unit 11 · Chancel Industrial Estate · Newhall Street
Willenhall · WV13 1NX · United Kingdom

