



Fluorescent Lighting

Type Calstar - EEx de Emergency Fluorescent Exit Fitting for 8 Watt Lamps

EEx de IIC	Zones 1,2,21,22	T5, T6
------------	-----------------	--------

HAZARDOUS AREA SPECIFICATION

Marking to 94/9/EC	II 2 GD
Type of protection	EEx de IIC
Temperature class	(T6) -20°C to +40°C (T5) -20°C to + 55°C
Area classification	Zones 1,2,21,22. Groups IIA, IIB, IIC
Certification No.	SIRA02ATEX1107 GOST'R' POCC GB. ГБ 05. B01132
Ingress protection	IP67 to EN60529:1992

ENCLOSURE SPECIFICATION

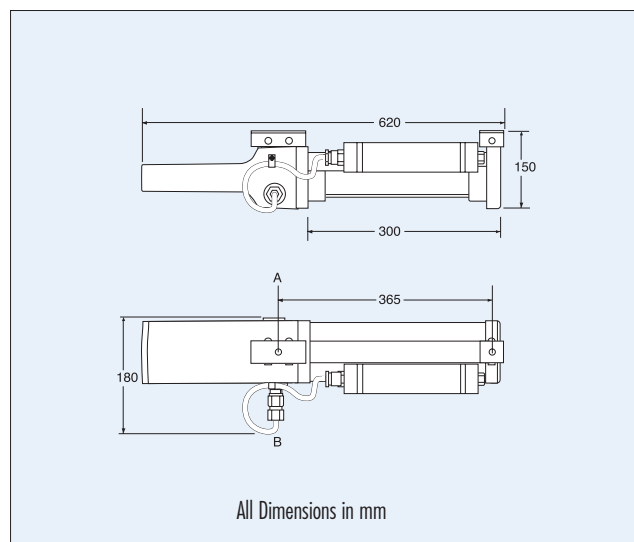
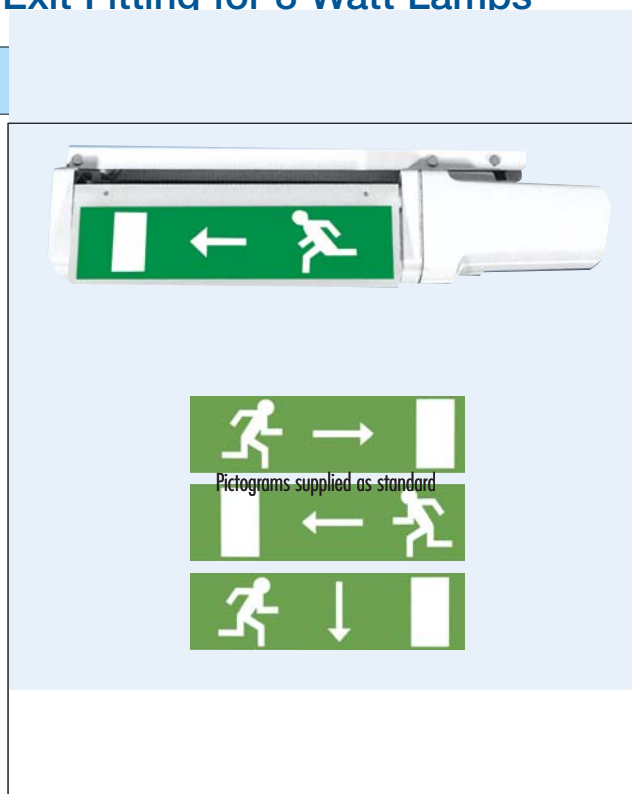
Material	All cast metal parts – light metal alloy Overtube – borosilicate glass Reflector – 1.2mm mild steel
Finish	Cast metal parts - Epoxy powder coat RAL7032 Reflector – epoxy powder coat – white
Cover fixing	M6 allen head stainless steel screws
Gasket	Nitrile O ring
Earthing	Internal and external earths
Battery Tube	Aluminium tube with EEx e glands
Mounting	Two stainless steel removable mounting brackets supplied as standard

ENTRY SPECIFICATION

1 x 20mm EEx d threaded hole at A and B
 One entry is used for the battery and the other is fitted with an EEx d stopping plug.

ELECTRICAL SPECIFICATION

Control gear	High frequency electronic ballast complying with all European standards relating to safety, operation and EMC (Immunity)
Operating voltage	220 – 254 Volts 50/60Hz
Operating current	0.5 Amps max
Power factor	0.98
Emergency operation	Maintained and non-maintained
Emergency operating time	3 hours in both modes
Recharge time	24 hours from fully discharged state
Terminals	2.5mm sq. connection block suitable for through wiring
Lamp	Bi-Pin fluorescent tubes, T5
Pictograms	A set of 3 pictograms as indicated opposite are supplied as standard



Wattage	Length	Weight	Product Code
1 x 8 Watts	300mm	4.0Kg	650/0211

Note: Fitting complete with lamp